

5

4

3

2

1

D

C

B

A

Pg29

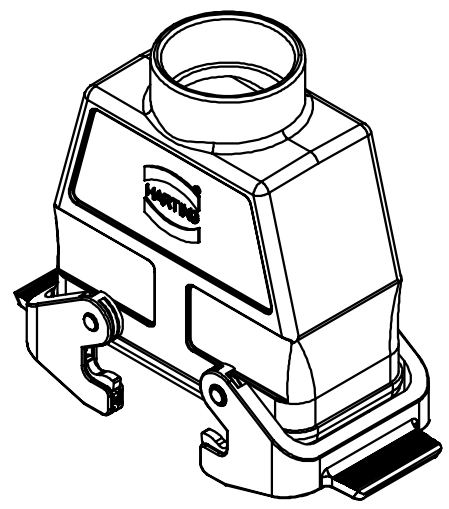
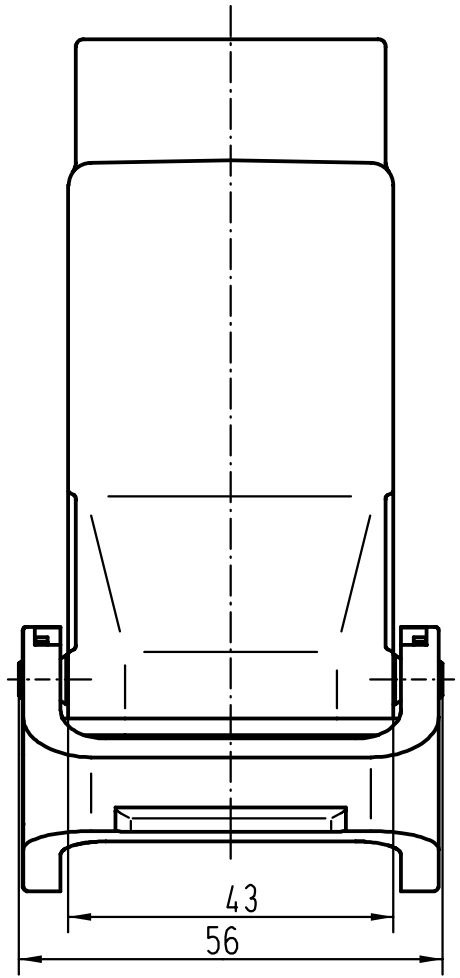
16

78,4

93,5

23

Han



All Dimensions in mm
Original Size DIN A 4

Techn. Character.

Nicht tolerierte Masse/ Free size tolerances

| | | |
|-------|------|------|
| | | |
| | | |
| | | |
| | | |
| 27786 | | |
| Mod. | Dat. | Name |

| | | | |
|-----------------------------------|----------|------|---------------------------|
| | Dat. | Name | Massstab/Scale 1:1 |
| Detail. | 17.04.00 | Gü | |
| Insp. | | FER | |
| Stand. | | | |
| HARTING KGaA D-32339 ESPELKAMP | | | |

| | |
|---|-------------|
| Han 16B-kg-QB-29 Kupplungsgehäuse/ hoods cable to cable | |
| TB 09 30 016 0731 | Blatt/ page |
| Sub. TB 09 30 0.. 073. v. 03.02.93 | |