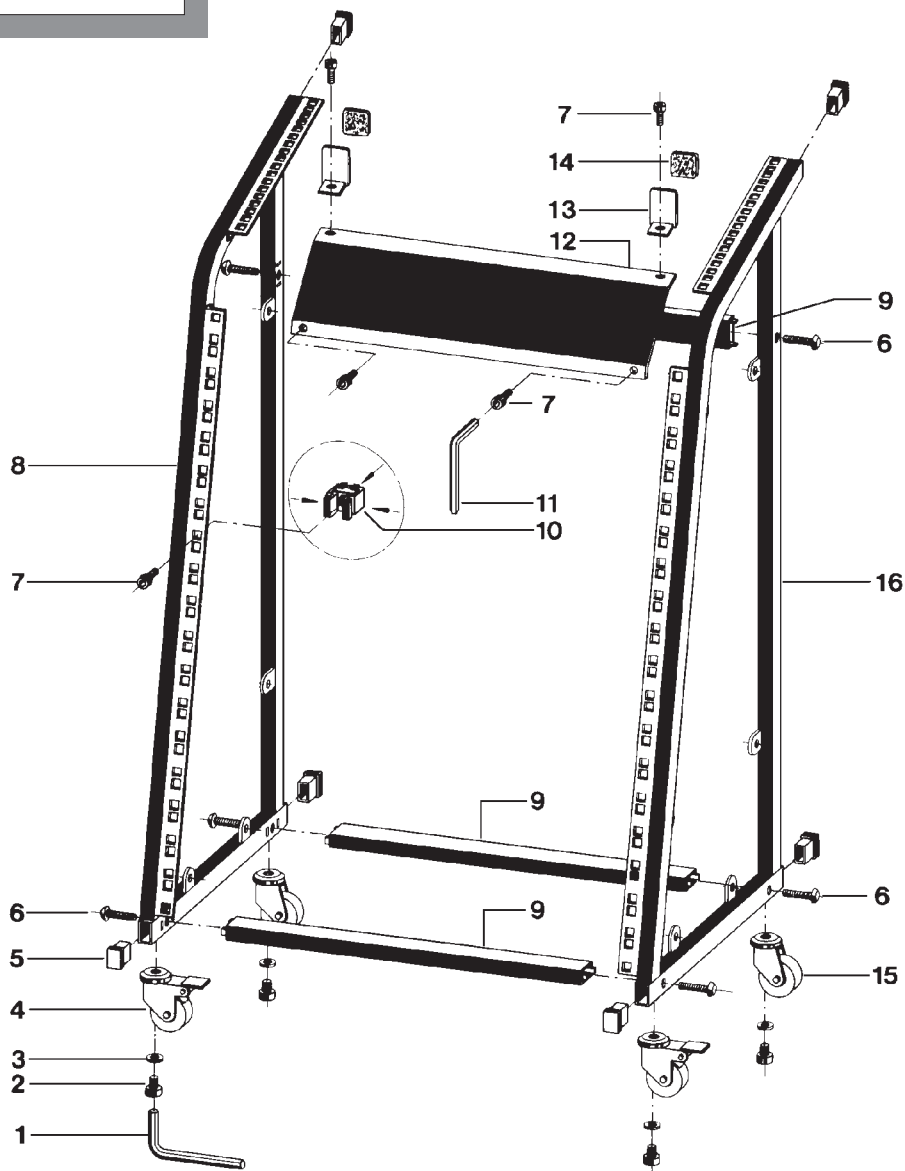


28205 Special Stand

28200.000.55 black



pos.	description	art.-no.	qty
1	allen wrench M6	03.22.897.00	1
2	allen screw M8 x 12 mm	03.02.310.29	4
3	washer	03.11.520.01	4
4	locking wheel	03.25.180.00	2
5	end cap	03.20.781.55	6
6	roundhead socket screw M8 x 45 mm	03.03.710.00	6
7	raised countersunk head screw	03.05.531.25	30
8	siderail complete left	5.28200.2.55	1
9	connector brace	5.28200.3.55	3
10	clip nuts M5	03.08.370.00	30
11	allen wrench M6	01.65.510.01	1
12	cover plate	01.51.790.55	1
13	back square	01.29.557.55	2
14	felt pad	03.21.540.55	2
15	wheel non locking	03.25.181.00	2
16	siderail complete right	5.28200.1.55	1