



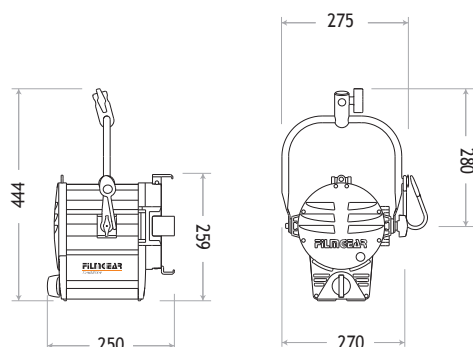
Tungsten Fresnel 1000W Junior

LAMPHEAD CONTENTS

- Lamp Housing without Bulb (purple grey & silver color)
- 4-leaf Rotatable Barndoor with Safety Wire
- Ø130mm (5-1/8 in.) Fresnel Lens
- In-Line Switch
- Inlet Cable 4m (13 ft.)
- Stirrup with Ø16mm (5/8 in.) Socket

Requires Lamp Bulb

DIMENSIONS (mm)



Tungsten Fresnel 1000W Junior

SPECIFICATIONS

Identity No.	L01000TJ
Capacity	1,000W
Voltage	100 - 250V AC
Fresnel Lens	Ø130mm (5-1/8 in.)
Lamp Type	1000W SE
Color Temp.	3200K
Lamp Holder	G22
Stirrup	Ø16mm (5/8 in.) Socket
Class / IP Rating	1 / IP 23
Max. Surface Temp.	220 °C
Max. Ambient Temp.	45 °C
Min. Distance to Illuminated Object	1.5 m
Min. Distance to Flammable Object	0.5 m
Operating Range	+45° ~ 0° ~ -45°
Weight (lamphead)	4.3 kg
Weight (with barndoor)	4.9 kg

ACCESSORIES

4-leaf Rotatable Barndoor

Filter Frame

Set of 4 Scrims Ø197mm (7-3/4 in.) :

Full Single, Full Double, Half Single, Half Double

Scrim Bag

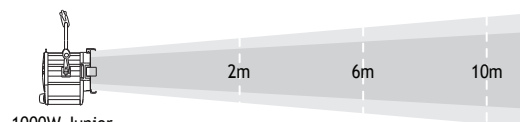
Variable Snoot

Spill Ring

Safety Cable (for lamphead)

Safety Wire (for barndoor)

PHOTOMETRIC DATA



1000W Junior

Spot (10°)			
Lux	30805	3423	1232
Beam Ø	0.35 m	1.05 m	1.75 m
Flood (57°)			
Lux	4621	513	185
Beam Ø	2.17 m	6.52 m	10.86 m